
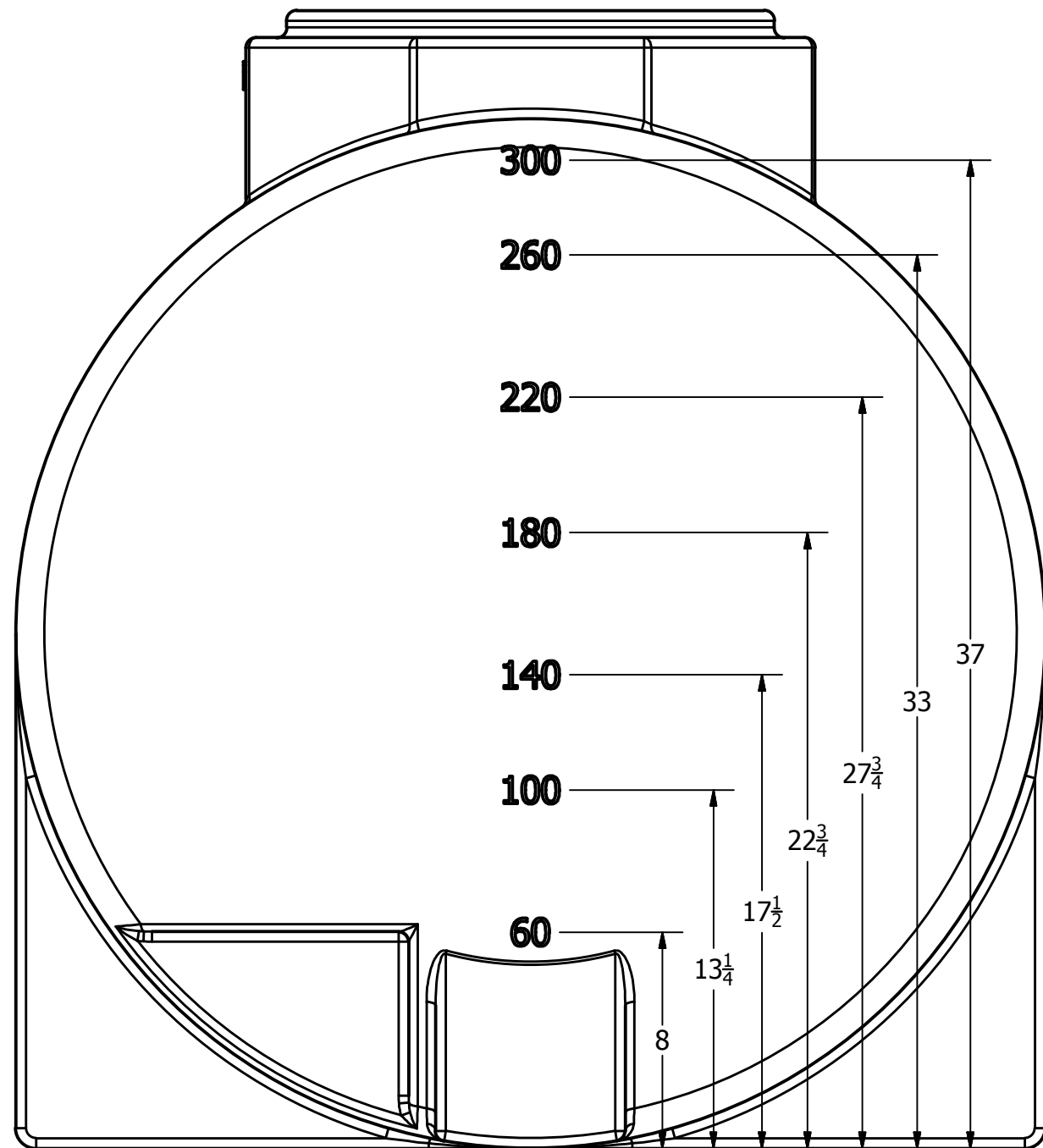



REVISION HISTORY			
REV	DESCRIPTION	DATE	AUTHOR
A	REDRAWN	8/14/1997	
B	REDRAWN	7/19/2013	Michael Holden
DRAWN	Jerry Paulson	8/14/1997	 NORWESCO, INC. SAINT BONIFACIUS, MN TITLE 325 GALLON HORIZONTAL LEG TANK
CHECKED			
QA			
MFG			
APPROVED			
	SIZE	DWG NO	REV
	B		B
SCALE: 1/16		SHEET 1 OF 2	



GALLON MARKS ON BOTH ENDS

DRAWN Jerry Paulson CHECKED QA MFG APPROVED	8/14/1997	 NORWESCO, INC. SAINT BONIFACIUS, MN TITLE		
		325 GALLON HORIZONTAL LEG TANK		
		SIZE B	DWG NO	REV B
		SCALE: 1/16	SHEET 2 OF 2	