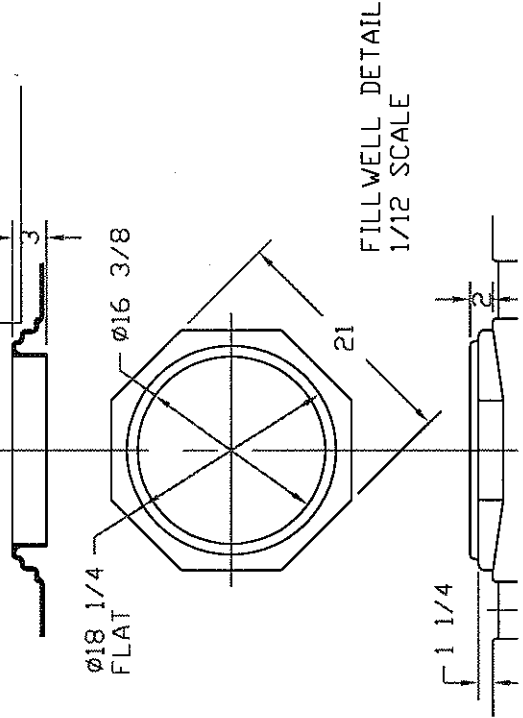
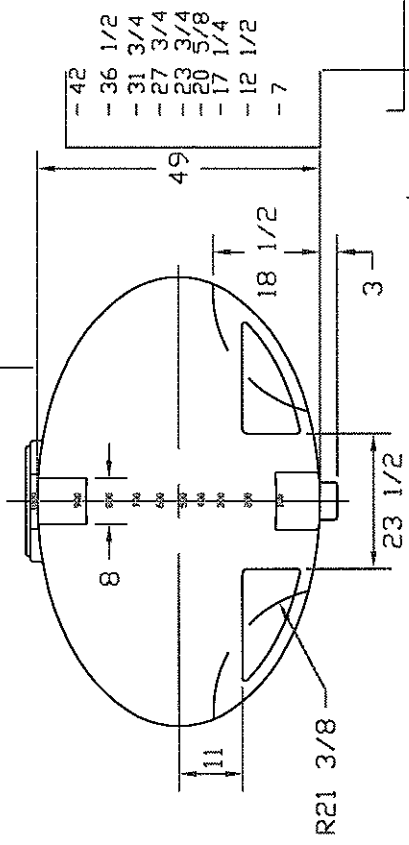
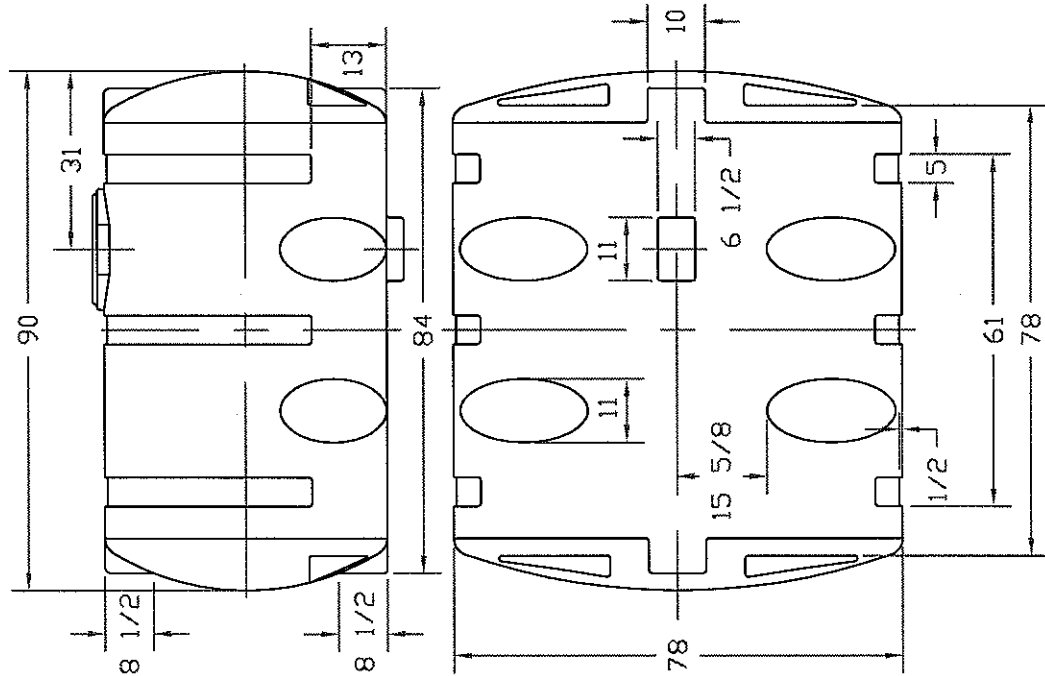


REVISIONS		DATE	APPROVED
ZONE	REV	DESCRIPTION	
	A	REDRAWN	22OCT97



<b>NORWESCO</b>		ST. BONIFACIUS, MN
1000 GALLON		ELLIPTICAL TANK
JTP	22OCT97	SCALE 1/24
SIZE B	FSCM NO.	DWG NO.
		SHEET